

# Nuclear Associates 56-608

CLEAR-Pb® Lead-Plastic Protective Benchttop Barrier

Instruction Manual



**CardinalHealth**

(Blank Page)

# Introduction

## 1.1 Introduction

Occupational radiation exposure to the eyes and thyroid glands of technical personnel who handle radionuclides can be minimized by using the CLEAR-Pb protective lead barrier.

The barrier consists of a CLEAR-Pb lead-plastic viewing panel, 12" x 19" x 1-3/8" thick (1/16" lead equivalent) and a protective lead wall, 12" x 12" x 1/2" thick. Both are mounted on a heavy-duty base, 20" x 22".

## 1.2 Assembly Instructions

To eliminate damage to any component during assembly, the following sequence must be strictly observed.

1. Place both support columns (A) in the round holes in the base (B). Insert them from the bottom so that the flanges of the support columns remain on the underside of the base.

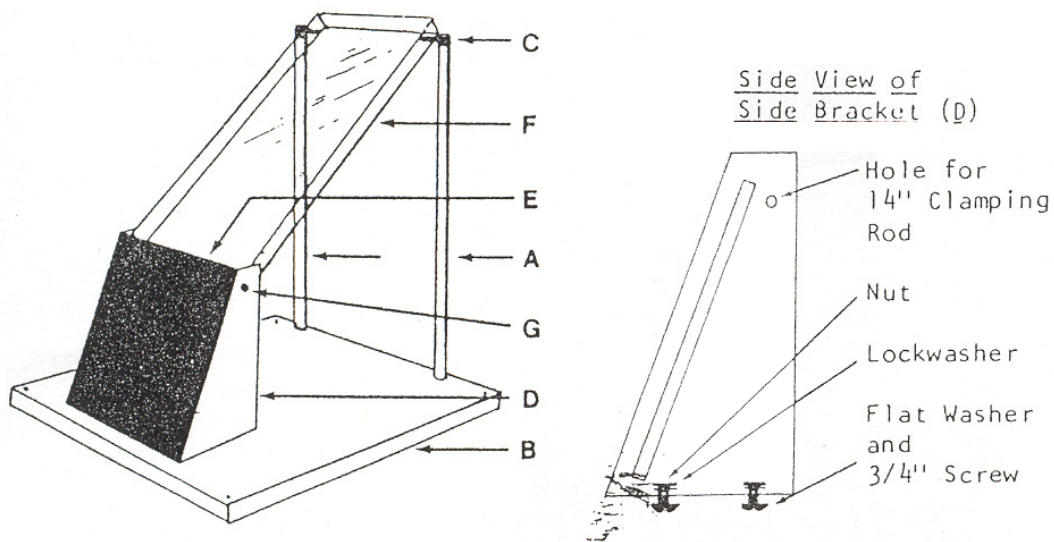


Figure 1-1. Side View of Side Bracket

2. Orient the holes at the top of the support columns so that they are aligned with each other (C). Fasten the support columns to the base, using 3/8" screws. Press the cap plugs over the tops of the support columns. Insert the two 1 1/2" screws in the holes at the tops of the support columns so that they point inward. Attach the threaded studs to these screws. Slide the black vinyl sleeves over the ends of the threaded studs.

3. Fasten the two side brackets (D) to the base with the four  $\frac{3}{4}$ " screws, flat washers, lockwashers, and nuts. Hand-tighten this hardware.
4. Make sure that the assembly is completely supported by the work surface. Slide the lead slab (E) into the slots in the side brackets. The slanted edge of the slab must be inserted first, with the leading edge of the bevel facing the front of the assembly. If the slab does not slide into position freely, loosen one or both of the side brackets, and re-tighten after the slab is in place. Slide the 14" threaded clamping rod through the holes in the side brackets. Attach the black knobs (G) to the rod ends; do not tighten yet.
5. The window (F) must now be positioned. Carefully remove the protective paper coating. Then rest its lower edge between the lead slab and the threaded rod and its upper edge on the two vinyl-sleeved threaded studs. Tighten all hardware.

### **1.3 Cleaning The CLEAR-Pb Window**

1. Use only a soft cloth for cleaning and polishing the lead-plastic window. Under no circumstances should any strong solvents or abrasive cleaners be used.
2. A mild soap and water solution or household glass cleaner may be used to remove dirt or smudges from the CLEAR-Pb viewing panel.

(Blank Page)

# Radiation Management Services

For additional information, please contact  
Radiation Management Services business  
of Cardinal Health at 440.248.9300, or  
516.870.0100.



© 2004 Cardinal Health, Inc. or one of its subsidiaries  
All rights reserved.  
Manual No. 56-608-1 Rev. 2 26 aug 04

Cardinal Health  
6045 Cochran Road  
Cleveland, Ohio 44139

120 Andrews Road  
Hicksville, New York 11801

[www.cardinal.com/rms](http://www.cardinal.com/rms)